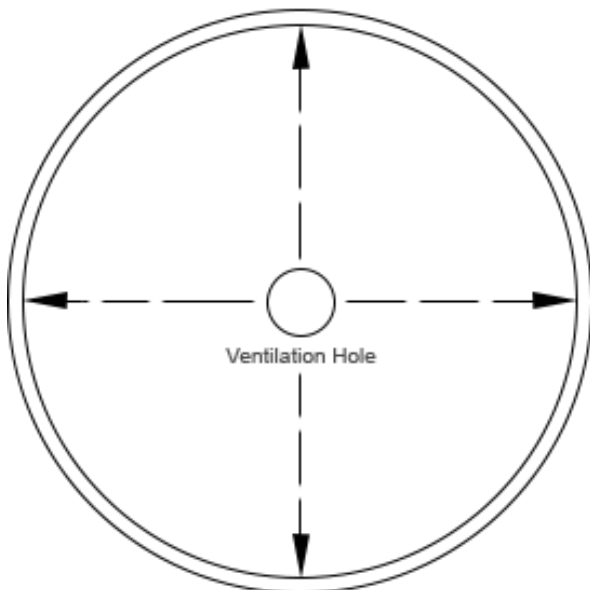
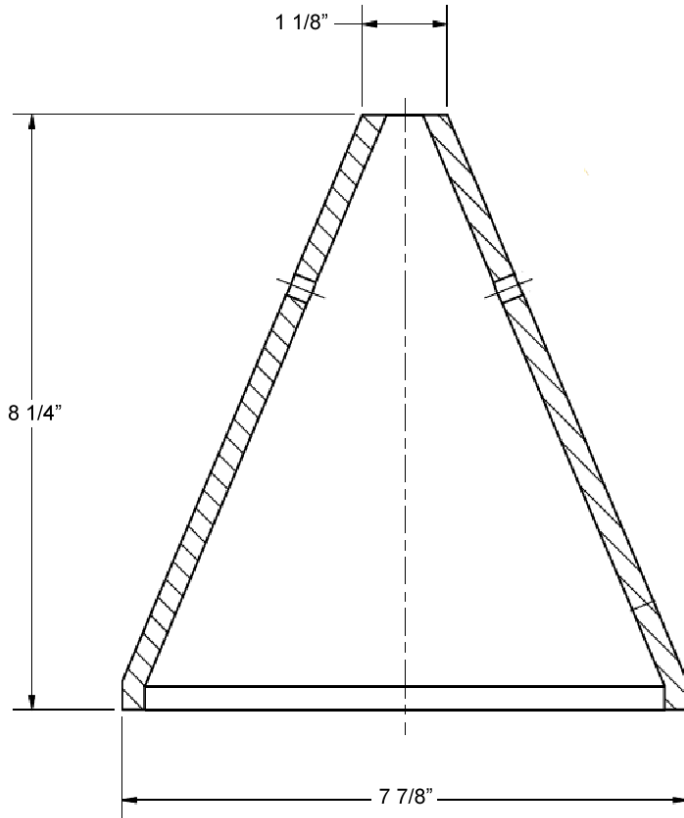


MODEL FF109-200



Model Number	Outside Height	Outside Diameter
FF109-200	8 1/4"	7 7/8"

Performance Data

For Use:

- ETL-Intertek certified to maintain the fire rating (1 hour) of fire-rated floor/ceiling assemblies.
- Tested to ASTM E119
 - UBC 7 1
 - NFPA 251
 - ASI A2.1



Intertek

General Information

Benefits:

- Easy Installation - can be fitted in seconds - no screws, drilling or additional sealant required
- Can be folded and fitted from above or below the ceiling
- 60 minute protection
- Flexible material enables the cover to be fitted around obstacles or retro-fitted
- Enhances the acoustic protection of the ceiling
- Maintenance free
- Lightweight
- The only fire tested solution for retrofit applications
- Fits most 4" low profile LED downlight fixtures and LED wafer lights

Manufactured By

Tenmat Inc

23 Copper Drive
 Newport, DE 19804
 Phone: (302) 633-6600
 Fax: (302) 633-6838
 Email: info@tenmatusa.com
 www.TenmatUSA.com