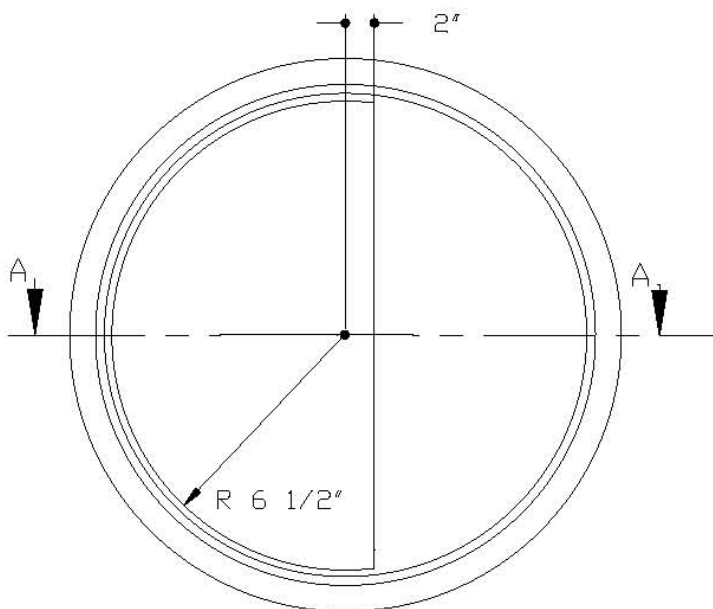
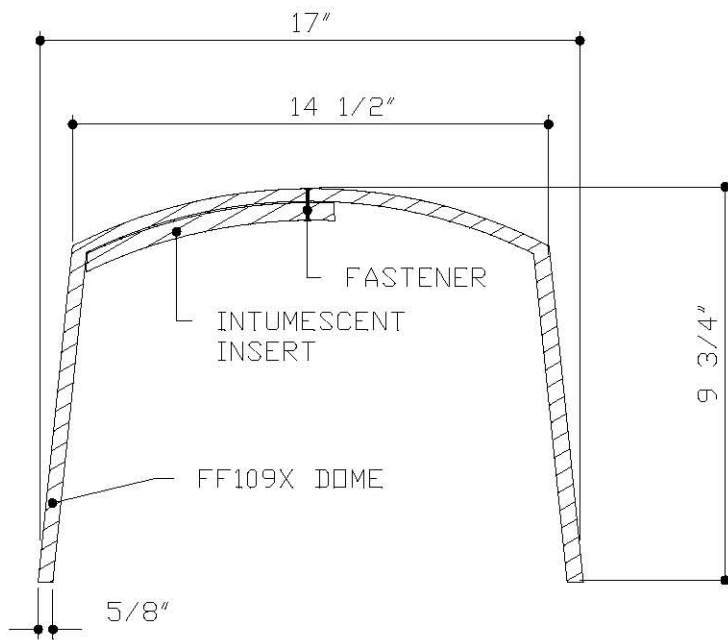


MODEL FF109X


Model Number	Inside Height	Outside Diameter
FF109X	8"	17"

Performance Data
For Use:

- UL Classified to maintain fire ratings of up to two hours for the following fire-rated floor/ceiling assemblies: L500, D500, G500, D200, G200, J200 and L200 series
- UL Classified to maintain fire ratings of up to one hour for the following roof/ceiling assemblies (attics): P200 and P500 series



CLASSIFIED FOR FIRE RESISTANCE
FIRE RESISTANCE CLASSIFICATION
SEE UL FIRE RESISTANCE DIRECTORY

General Information
Benefits:

- 120 minute protection.
- Fits most popular IC rated fixtures.
- For Joist Spacing up to 24" on center.
- Suitable for 2"x10", 2"x12", 2"x14" and 2"x16" joists.
- Can be used in floor/ceiling, as well as roof/ceiling assemblies (attic).
- Lightweight (approx. 2.5 lbs).
- Easy Installation - can be fitted in seconds - no screws, drilling or additional sealant required.
- Enhances the acoustic protection of the ceiling.
- Reduces heat loss through the fixture.
- Maintenance free.

Manufactured By
Tenmat Inc

23 Copper Drive
Newport, DE 19804
Phone: (302) 633-6600
Fax: (302) 633-6838
Email: info@tenmatusa.com
www.tenmatusa.com