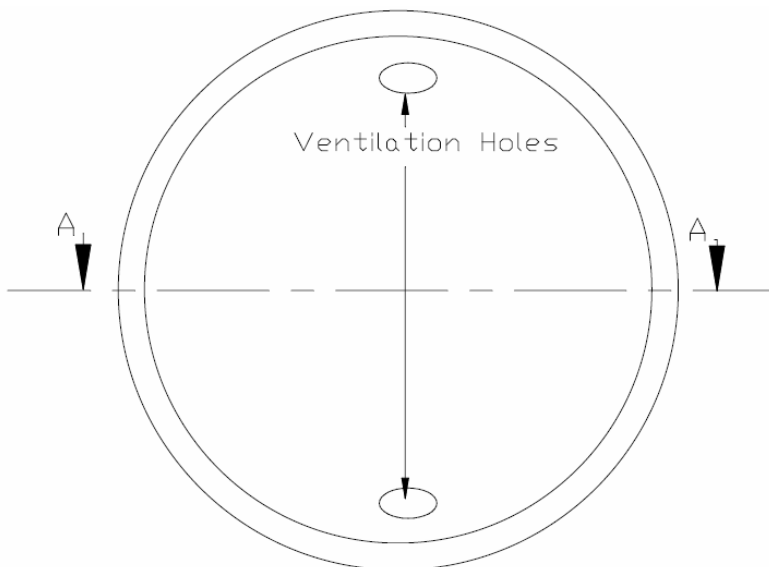
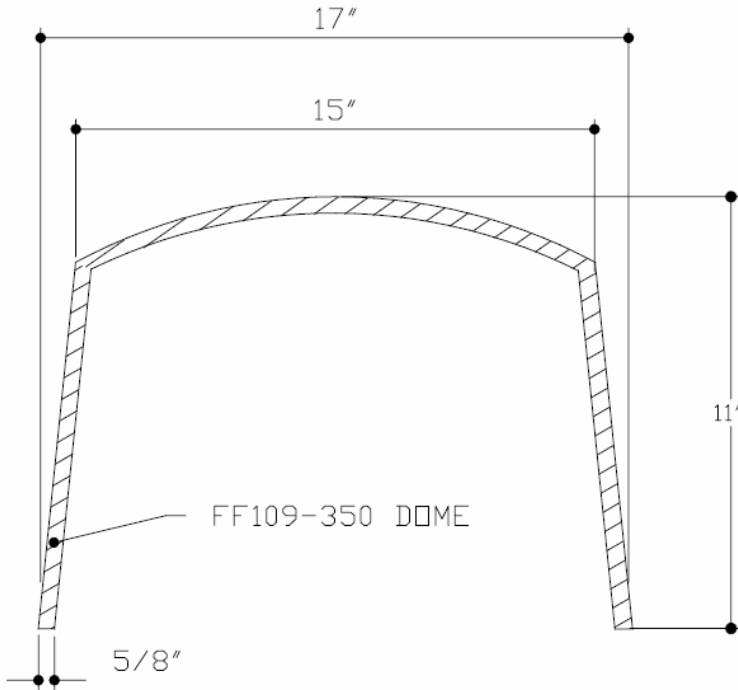


## MODEL FF109-350



Model Number	Inside Height	Inside Diameter
<b>FF109-350</b>	<b>10 3/8"</b>	<b>15"</b>

### Performance Data

#### For Use:

- Warnock Hersey - Intertek certified to maintain the fire rating (1 hour) of fire-rated floor/ceiling assemblies.



**Intertek**

Tested to ASTM E119  
 UBC 7.1  
 NFPA 251  
 ASI A2.1

### General Information

#### Benefits:

- 60 minute protection.
- Fits most popular recessed light fixtures.
- Can be used in L500 floor/ceiling assemblies.
- Lightweight (approx. 2.5 lbs).
- Easy Installation - can be fitted in seconds - no screws, drilling or additional sealant required.
- Flexible material enables the cover to be fitted around obstacles or retro-fitted.
- Enhances the acoustic protection of the ceiling.
- Reduces heat loss through the fixture.
- Significant energy cost savings.
- Maintenance free.

### Manufactured By

#### Tenmat Inc

23 Copper Drive  
 Newport, DE 19804  
 Phone: (302) 633-6600  
 Fax: (302) 633-6838  
 Email: [info@tenmatusa.com](mailto:info@tenmatusa.com)  
[www.tenmatusa.com](http://www.tenmatusa.com)