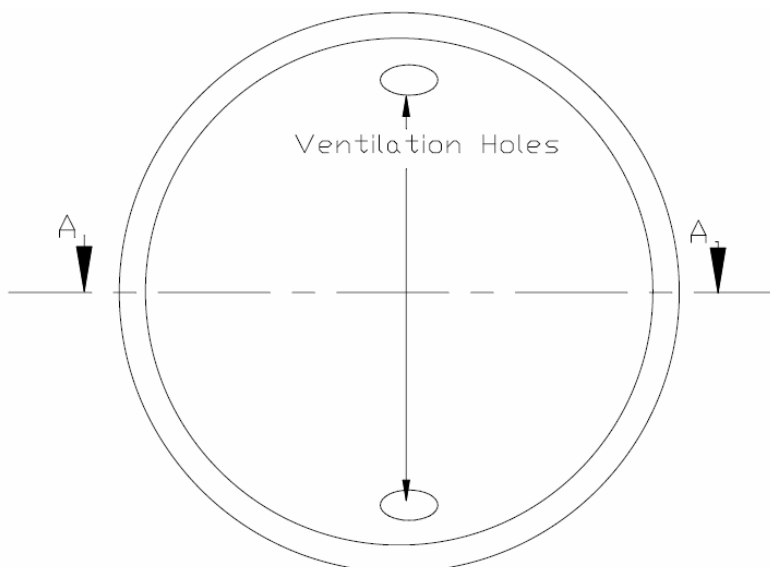
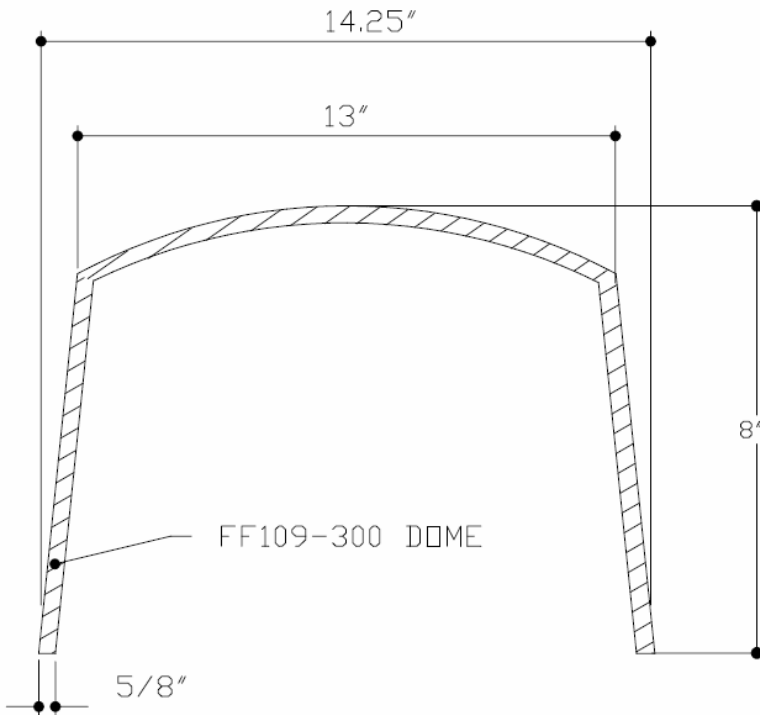


MODEL FF109-300


Model Number	Inside Height	Inside Diameter
FF109-300	7 3/8"	13"

Performance Data
For Use:

- UL Classified to maintain the fire rating (1 hour) for the following fire-rated floor/ceiling assemblies:
UL L500 series



CLASSIFIED FOR FIRE RESISTANCE
FIRE RESISTANCE CLASSIFICATION
SEE UL FIRE RESISTANCE DIRECTORY

General Information
Benefits:

- 60 minute protection.
- Fits most popular IC rated fixtures.
- Can be used in L500 floor/ceiling assemblies.
- Lightweight (approx. 1.5 lbs).
- Easy Installation - can be fitted in seconds - no screws, drilling or additional sealant required.
- Flexible material enables cover to be fitted around obstacles or retro-fitted.
- Enhances the acoustic protection of the ceiling.
- Reduces heat loss through the fixture.
- Significant energy cost savings.
- Maintenance free.

Manufactured By
Tenmat Inc

23 Copper Drive
Newport, DE 19804
Phone: (302) 633-6600
Fax: (302) 633-6838
Email: info@tenmatusa.com
www.tenmatusa.com