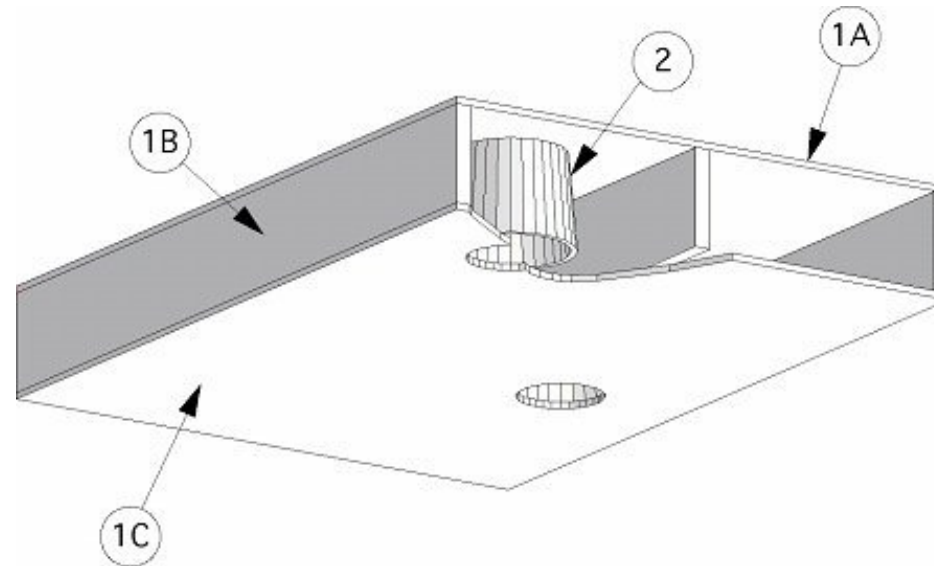


ROOF/CEILING, FLOOR/CEILING, BEAM & COLUMN ASSEMBLIES

TENMAT LTD. - Manchester, UK

▼ DESIGN NO. LC 101 (TEN/FCA 60-01)

DESIGN NO. TEN/FCA 60-01 OPL DESIGN NO. LC 101 LUMINARY COVERS



1. **Floor Ceiling Assembly:** Constructed in the manner as specified below:

A. Plywood subfloor: Min. 5/8" thick SYP plywood. Long dimension of panels, or face grain of plywood, to be perpendicular to joists (1B) with joints staggered. Plywood is secured to top side of joist assembly with min. No. 6, 1-7/8" long bugle-head drywall screws, spaced max. 16" oc along joists.

B. Lumber Joists: Parallel nom. 2 x 10 or deeper, lumber joists spaced a min. 16" oc and a max. of 24" oc.

C. Gypsum Wallboard: Nom. 5/8" Type X gypsum wallboard is secured to the underside of the lumber joists (1B) with min. No. 6, 1-7/8" long bugle-head drywall screws, spaced max. 6" oc. along perimeter and on joists in the field. Apply vinyl or casein, dry or premixed joint compound to face layers of gypsum wallboard in two coats to all exposed fastener heads and gypsum wallboard joints. A min. 2" wide paper, plastic, or fiberglass tape is embedded in first layer of compound over joints in gypsum wallboard.

2. **Fixture Protection Cover:** Constructed of a proprietary high-temperature fiber matrix and having an intumescent feature. Two sizes of covers are recognized within this Listing. The smaller cover has a base diameter of 14-1/2" and an overall height of 9" The larger cover has a base diameter of 17" and an overall height of 11-1/4" Covers are centered over openings up to 8" in diameter that are cut into the gypsum ceiling for the purpose of installing a recessed fixture. The cover may be slit to fit over obstructions in order to allow the cover to fit flush to the gypsum wallboard. When this occurs, caution is to be used to not damage the cover. The covers may be installed in the floor with the following provisions:
- Max. 1 opening within 16 sq.ft. ceiling area.
 - Min. on center fixture spacing of 40" within same truss cavity.
 - Min. center-to-center fixture spacing of 40" for adjacent truss cavities.
 - A min. 1/4" gap space must be maintained between the top of the cover and the underside of the subfloor (1A).
3. **Recessed Fixture:** (Not Shown) Installed in accordance with manufacturer's instructions. The fixture can be installed in an opening having a max. diameter of 8" The fixture must be secured to the framing of the floor, and may not be supported by the gypsum wallboard. Electrical wiring leading to and from the fixture may penetrate the cover. When this occurs, caution is to be used to not damage the cover, and the wiring is to fit snugly through any opening.

Testing Standard(s): ASTM-E119.

▼ Evaluated to the following...

Design listings are based on, and supported by, proprietary test reports. The test reports further define proprietary design details which make these listings applicable only to the specified products manufactured by the listed manufacturer.

Products listed in this section are evaluated for compliance with the standard(s) noted in the listing.

Designs listed are minimum construction requirements to achieve fire ratings. Specifiers should obtain detailed specifications for the listed assemblies from the manufacturer of the listed components.

Labeled components are identified with the OPL Certification Mark, embossed on the component or Certification Mark and design numbers on component or packaging.